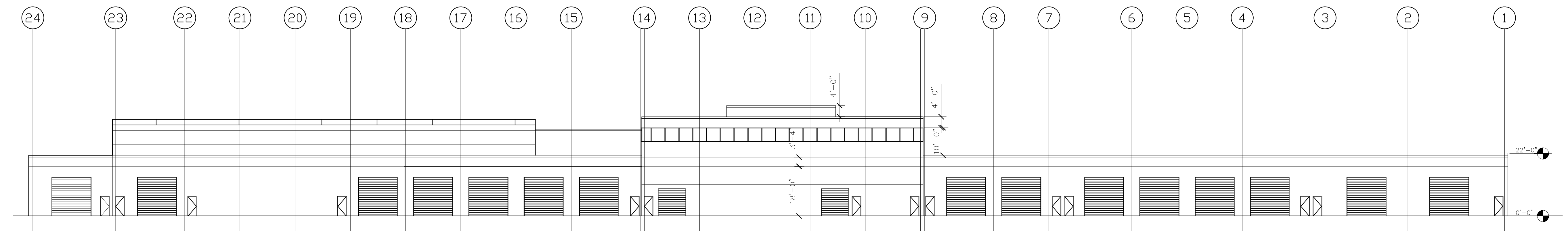
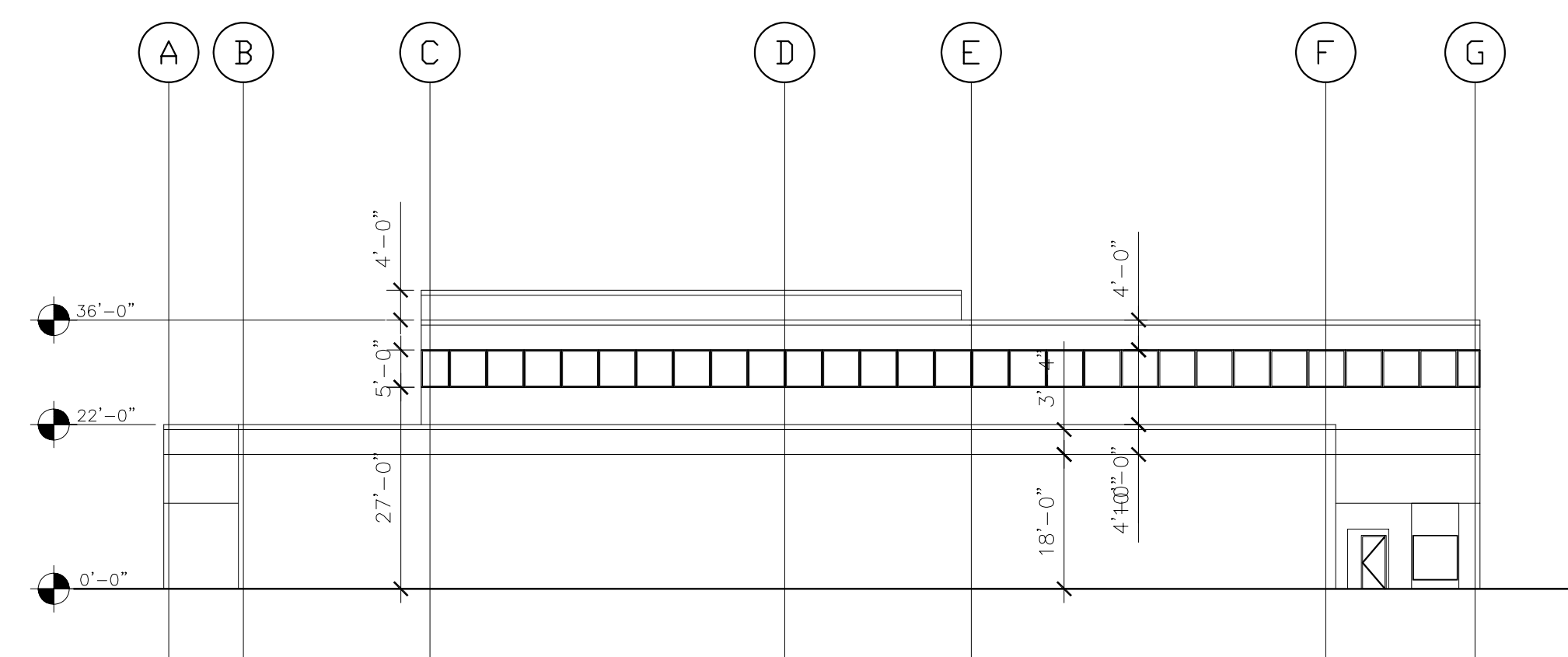


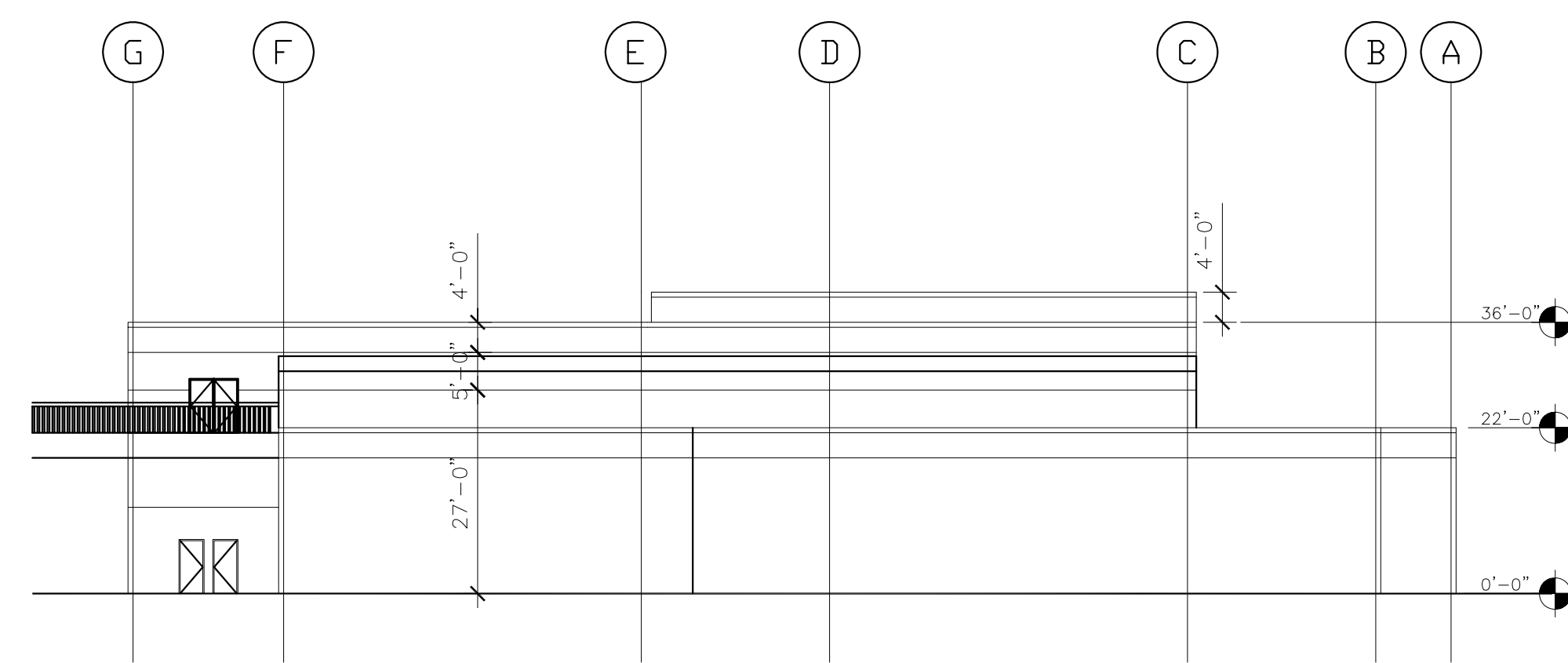
A EAST ELEVATION — PHASE 3
1" = 20'-0"



B WEST ELEVATION — PHASE 3
1" = 20'-0"



C SOUTH ELEVATION — PHASE 3
1" = 20'-0"



C NORTH ELEVATION — PHASE 3
1" = 20'-0"

DESIGNED	WW	05/25/07
		DATE
DRAWN	LL	05/25/07
		DATE
CHECKED	WW	06/05/07
		DATE
APPROVED	MC	06/05/07
		DATE

REFERENCE DRAWINGS	
NUMBER	DESCRIPTION

REVISIONS		
DATE	BY	DESCRIPTION

WASHINGTON METROPOLITAN AREA TRANSIT AUTHORITY



a joint venture of
 • Parsons Transportation Group Inc.
 • Parsons Brinckerhoff Quade & Douglas, Inc.
 • Delon Hampton & Associated, Chartered



PROJECT MANAGER

FULL SIZE PRINT	---	CONTRACT NO. ---
SOUTHEASTERN BUS GARAGE REPLACEMENT DC VILLAGE WASHINGTON DC PHASE 3 MAINTENANCE GARAGE ELEVATIONS		
SCALE:	DRAWING NO. A-016	24 OF 24