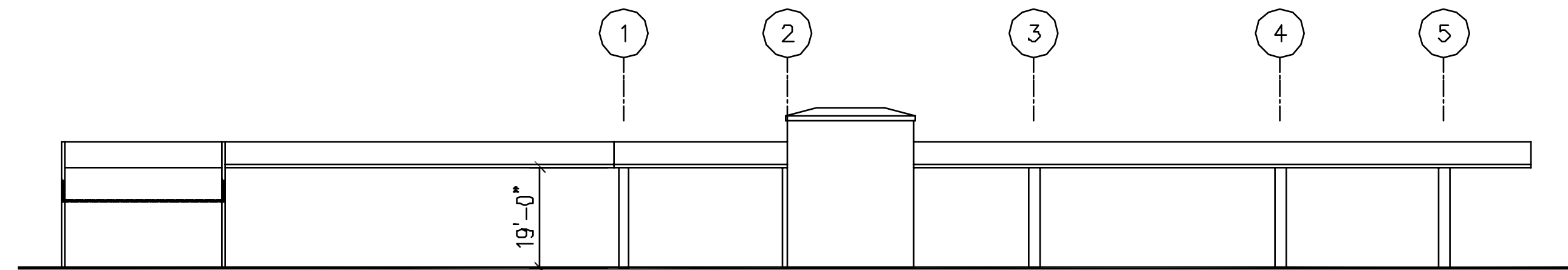
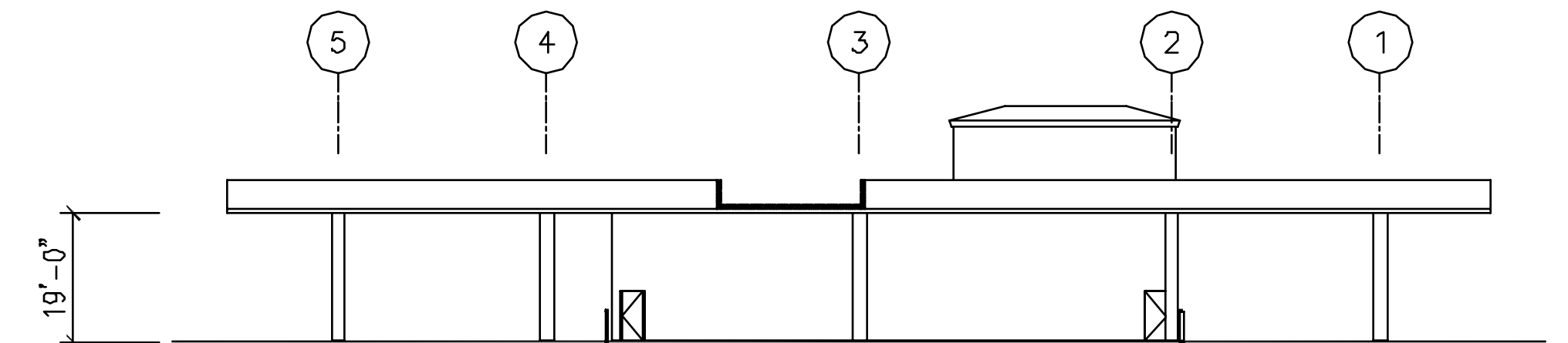


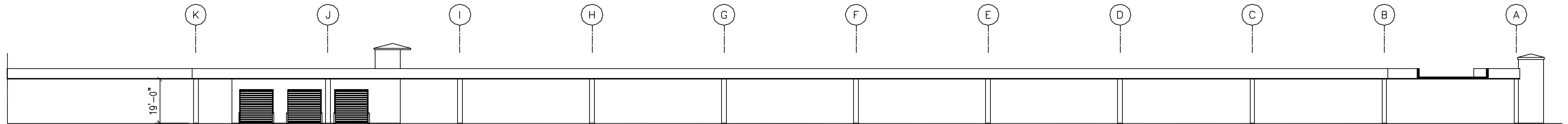
A NORTH ELEVATION
3/64" = 1'-0"



B EAST ELEVATION
3/64" = 1'-0"



D WEST ELEVATION
3/64" = 1'-0"



C SOUTH ELEVATION
3/64" = 1'-0"

DESIGNED _____ 5/24/07
DATE
DRAWN _____
DATE
CHECKED _____
DATE
APPROVED _____
DATE

REFERENCE DRAWINGS	
NUMBER	DESCRIPTION

REVISIONS		
DATE	BY	DESCRIPTION

WASHINGTON METROPOLITAN AREA TRANSIT AUTHORITY



a joint venture of
Parsons Transportation Group Inc.
Parsons Brinckerhoff Quade & Douglas, Inc.
Delon Hampton & Associated, Chartered
PROJECT MANAGER



FULL SIZE PRINT	---	CONTRACT NO. ---
SOUTHEASTERN BUS GARAGE REPLACEMENT DC VILLAGE WASHINGTON DC PHASE III EMPLOYEE PARKING STRUCTURE ELEVATIONS		
SCALE:	DRAWING NO. A-013	21 of 24