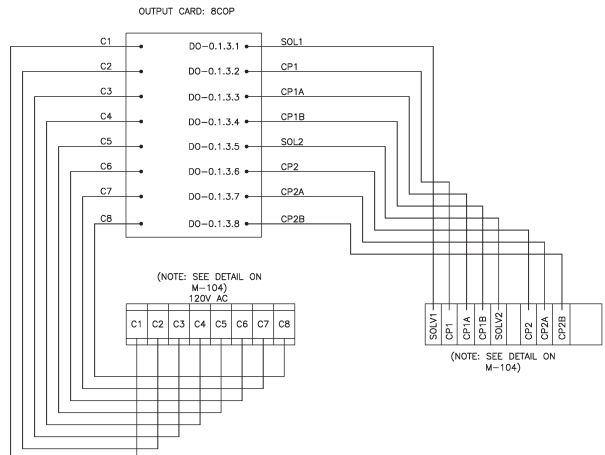


1 CONTROL INPUT SINK SCHEMATICS
NTS



2 CONTROL OUTPUT SCHEMATICS
NTS

- WIRING COLORS:**
- POWER WIRE:
 - 110V - BLACK
 - HOT - WHITE
 - NEUTRAL - WHITE
 - GROUND - GREEN W/YELLOW STRIPE
 - 24V POSITIVE(-) - BLUE
 - NEGATIVE(-) - WHITE W/BLUE STRIPE
 - GREEN OR GREEN W/YELLOW STRIPE WILL ONLY BE USED FOR GROUND WIRE.
 - ORANGE - WIRE THAT REMAINS ENERGIZED WHEN MAIN SUPPLY CIRCUIT DISCONNECT IS IN OFF POSITION.
 - CONTROL WIRES:
 - AC CONTROL CIRCUITS 120V - RED
 - PLC INPUTS - VIOLET
 - PLC OUTPUTS - GREY
 - MISC CIRCUITS & DATA COLLECTION CIRCUITS - BROWN
 - EXTERNALLY FED CIRCUITS (INTERLOCKS) - YELLOW

CONTRACT NO.

COND1 - SENSOR MODULE WIRING TABLE
3700 SERIES INDUCTIVE CONDUCTIVITY SENSOR WIRING

CONNECTOR PIN #	SIGNAL	SENSOR WIRE
1	SENSE	GREEN
2	SIGNAL GROUP/TEMP -	YELLOW
3	-	-
4	-	-
5	-	-
6	-	-
7	-	-
8	-	-
9	SHIELD	CLEAR
10	TEMP +	RED
11	DRIVE 1	WHITE
12	DRIVE 2	BLUE

COND1 - NETWORK MODULE WIRING TABLE
MODBUS WIRING WITH RS485

CONNECTOR	CONNECTOR BLOCK PIN #	SIGNAL	DESCRIPTION	FUNCTION
J1	9	-	-	-
	8	-	-	-
	7	-	-	-
	6	GROUND OUT	SIGNAL COMMON (MULTI-DROP NETWORK)	RS485
	5	B (-) OUT	OUTPUT FROM THE MODULE (MULTI-DROP NETWORK)	RS485
	4	A (+) OUT	OUTPUT FROM THE MODULE (MULTI-DROP NETWORK)	RS485
	3	GROUND IN	SIGNAL COMMON	RS485
	2	B (-) IN	INPUT INTO THE MODULE	RS485
	1	B (-) IN	INPUT INTO THE MODULE	RS485

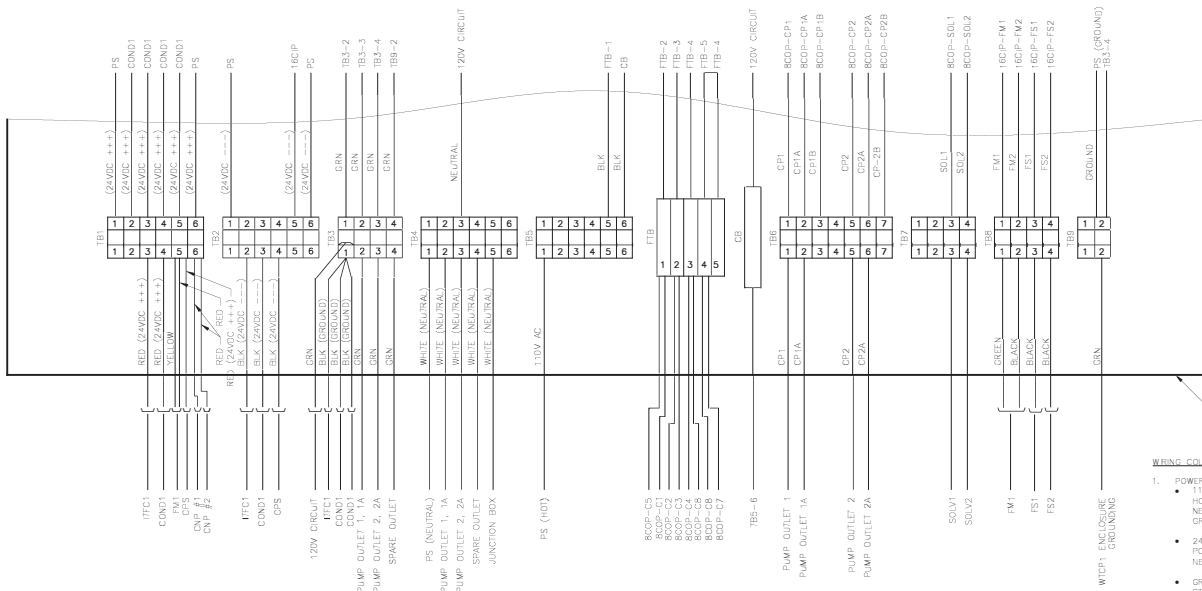
DESIGNED	DATE	REFERENCE DRAWINGS		REVISIONS	
		NUMBER	DESCRIPTION	DATE	DESCRIPTION
JV	08/12				
YLL	08/12				
PP	08/12				
PP	08/12				

WASHINGTON METROPOLITAN AREA TRANSIT AUTHORITY
DEPARTMENT OF TRANSIT INFRASTRUCTURE & ENGINEERING SERVICES
CHIEF ENGINEER INFRASTRUCTURE SERVICES

SUBMITTED _____ DATE _____ APPROVED _____ DATE _____
CHIEF ENGINEER

MECHANICAL DESIGN DRAWING
WIRING DIAGRAM FOR
WATER TREATMENT SYSTEM CONTROL PANEL

SCALE AS NOTED DRAWING NO. _____ SHEET NO. **ST-M-103**



- WIRING COLORS:**
- POWER WIRE:
 - 110V
 - HOT - BLACK (BLK)
 - NEUTRAL - WHITE
 - GROUND - GREEN W/YELLOW STRIPE
 - 24V
 - POSITIVE(+) - BLUE
 - NEGATIVE(-) - WHITE W/BLEUE STRIPE
 - GREEN OR GREEN (GRN) W/YELLOW STRIPE WILL ONLY BE USED FOR GROUND WIRE.
 - GRAND - WIRE THAT REMAINS ENERGIZED WHEN MAIN SUPPLY CIRCUIT DISCONNECT IS IN OFF POSITION.
 - CONTROL WIRES:
 - AC CONTROL CIRCUITS 120V - RED
 - PLC INPUTS - VIOLET
 - PLC OUTPUTS - GREY
 - MISC CIRCUITS & DATA COLLECTION CIRCUITS - BROWN
 - EXTERNALLY FED CIRCUITS (INTERLOCKS) - YELLOW

1 INTERCONNECTION DIAGRAM
NTS

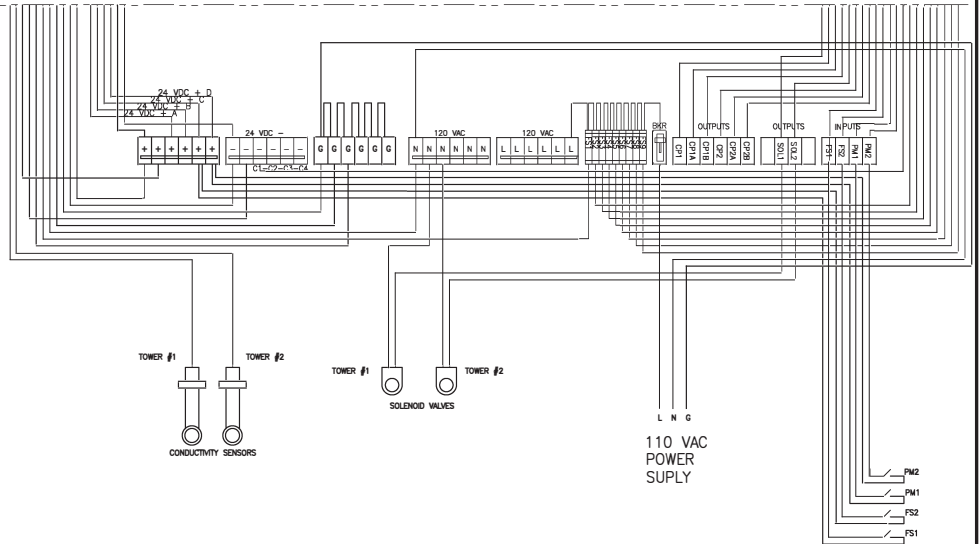
DESIGNED	BY	DATE	REFERENCE DRAWINGS		REVISIONS	
			NUMBER	DESCRIPTION	DATE	BY
JV	08/12					
YLL	08/12					
PP	08/12					
PP	08/12					

WASHINGTON METROPOLITAN AREA TRANSIT AUTHORITY
DEPARTMENT OF TRANSIT INFRASTRUCTURE & ENGINEERING SERVICES
CHIEF ENGINEER INFRASTRUCTURE SERVICES

MECHANICAL DESIGN DRAWING
INTERCONNECTION DIAGRAM FOR
WATER TREATMENT SYSTEM CONTROL PANEL

SCALE: AS NOTED
DRAWING NO: ST-M-104
SHEET NO: []

MATCH LINE
SEE M-105



1 WATER TREATMENT ELECTRICAL CABINET WIRING SCHEMATIC-PARTIAL
NTS

DESIGNED	JV	08/13	DATE
DRAWN	YLL	08/13	DATE
CHECKED	PP	08/13	DATE
APPROVED	PP	08/13	DATE

REFERENCE DRAWINGS		REVISIONS	
NUMBER	DESCRIPTION	DATE	BY

WASHINGTON METROPOLITAN AREA TRANSIT AUTHORITY
DEPARTMENT OF TRANSIT INFRASTRUCTURE & ENGINEERING SERVICES
CHIEF ENGINEER INFRASTRUCTURE SERVICES

SUBMITTED _____ DATE _____ APPROVED _____ CHIEF ENGINEER _____ DATE _____

MECHANICAL DESIGN DRAWING
WIRING SCHEMATIC FOR
WATER TREATMENT SYSTEM CONTROL PANEL

SCALE AS NOTED DRAWING NO. ST-M-106 SHEET NO. _____

CONTRACT NO.